

Linear

# MIMI Glow A020 (20W) Fixture Guide

# KKDÖ

Indoor/Outdoor | Surface | Output up to 840lm/m (256lm/ft)



≤16-42lm/W

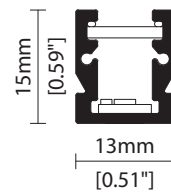


## Key applications

- ✓ Architectural detail
- ✓ Bathrooms
- ✓ Building facades
- ✓ Cove lighting
- ✓ Direct lighting
- ✓ Exterior
- ✓ Hand rail
- ✓ Wet area

## Key features

- ✓ Adjustable
- ✓ Custom lengths
- ✓ Constant Voltage (CV)
- ✓ Diffusion: homogenous
- ✓ Direct view
- ✓ High lumen efficacy
- ✓ IP44 moisture resistant
- ✓ IP67 waterproof
- ✓ Nano louvre



## MOUNTING METHODS



KKCP-14 Lock clip



KKBK-24 Adjustable bracket

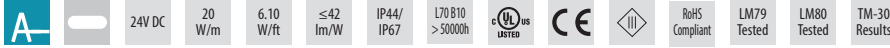


EB End Cap Bracket

Linear

# MIMI Glow A020 (20W)

## Specification sheet



|                       |  |
|-----------------------|--|
| <b>Dimensions</b>     | H15/W13/L97-2020mm* (H0.59/W0.51/L3.82-79.53in*)<br>*Nano Louvre = 1020mm/40.16in Max                                    |
| <b>PCB Cut-point</b>  | 38.46mm increment/2000mm max (1.51in increment/78.74in max*)<br>*Nano Louvre = 1020mm/40.16in Max                        |
| <b>LED Pitch</b>      | 4.8mm - 208LED/m (0.19in - 64LED/ft)   |
| <b>Chip</b>           | <b>A-line</b>  |
| <b>Cover/Optics</b>   | Diffused (86°)/Nano louvre (35°)   |
| <b>CCT</b>            | <b>A-line:</b> 2700K/3000K/4000K   |
| <b>LED binning</b>    | <b>A-line:</b> 3-step MacAdam ellipse  |
| <b>CRI</b>            | ≥ 94   |
| <b>Lifetime</b>       | 50,000 hours @ 25°C (50,000 hours @ 77°F)  |
| <b>Operating temp</b> | T <sub>a</sub> = -25 to 50°C (T <sub>c</sub> max = 83.9°C)<br>T <sub>a</sub> = -13 to 122°F (T <sub>c</sub> max = 183°F) |
| <b>IP Rating</b>      | IP44/IP67  |
| <b>Finish</b>         | Silver anodised  |
| <b>Mounting</b>       | Surface mounting lock clip or adjustable bracket   |
| <b>Power feed</b>     | Sheathed hardwire tails or male/female connectors  |
| <b>Control</b>        | 0-10V/1-10V/DMX/DALI   |



### LED Grading Key

**Exclusive Grade** \*KKDC tuned CCT range  
**A-line\*** 3-step CCT range  
 KKDC highest lumen efficacy LED

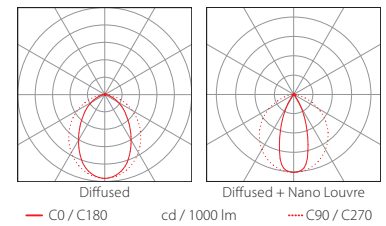
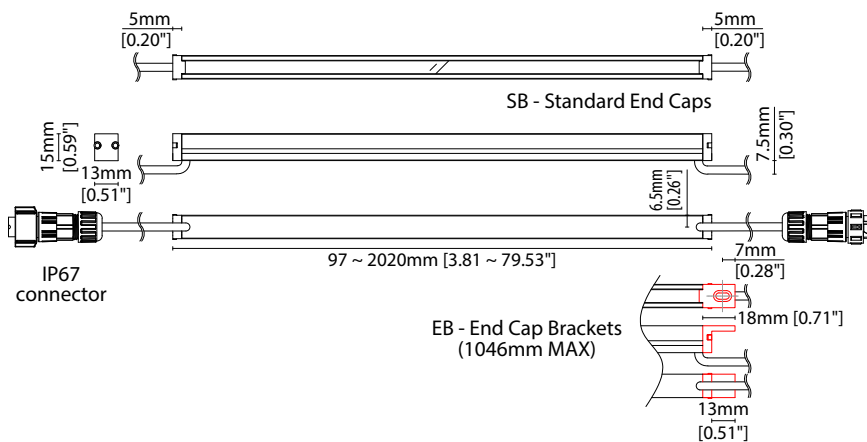
| Power consumption | Supply voltage | Supply current     |
|-------------------|----------------|--------------------|
| 20W/m (6.10W/ft)  | 24V DC         | 0.83A/m (0.25A/ft) |

### Performance Data (3000K)

|               | R1 | R2 | R3 | R4 | R5 | R6 | R7 | R8 | R9 | R10 | R11 | R12 | R13 | R14 |
|---------------|----|----|----|----|----|----|----|----|----|-----|-----|-----|-----|-----|
| <b>A-line</b> | 95 | 97 | 98 | 94 | 94 | 96 | 94 | 86 | 68 | 92  | 94  | 78  | 96  | 98  |

|               | Diffused                     | Diffused + Nano Louvre      | CRI | R9 | Rf | Rg |
|---------------|------------------------------|-----------------------------|-----|----|----|----|
| <b>A-line</b> | 840lm/m (256lm/ft)<br>42lm/W | 320lm/m (98lm/ft)<br>16lm/W | 94  | 68 | -  | -  |



Data derived from independent UKAS / IESNA LM-79-08 accredited testing of production samples.

Linear

# MIMI Glow A020 (20W) Code Table



## FIXTURE

| Model     | Finish                | Cover <sup>1</sup>                                      | Grade <sup>2</sup> | LED          | Colour (CCT)                              | Length Availability <sup>3</sup>  | IP                                    | Cable Length             | Power Feed <sup>4</sup>  | Fixing  | Input       |
|-----------|-----------------------|---|--------------------|--------------|---|---|---------------------------------------|--------------------------|--|---|-------------|
| MIMI Glow | MG<br>Silver Anodised | SA<br>Diffused<br>Diffused + Nano Louvre <sup>5,6</sup> | C<br>A-<br>A       | A020<br>A020 | 2700K<br>27<br>3000K<br>30<br>4000K<br>40 | m<br>97-2020mm<br>38.46mm increments<br><br>i<br>3.82-79.53in<br>1.51in increments<br><br>(Specify length code OR total run length) | IP44<br>44<br>IP67 <sup>7</sup><br>67 | 300mm/<br>11.81"<br>0300 | Single ø4.3mm sheath tail<br>S00A<br><br>Double ø4.3mm sheath tail<br>D00A<br><br>Single ø4.3mm sheath IP67 connector<br>S67A<br><br>Double ø4.3mm sheath IP67 connector<br>D67A | Standard End Cap<br>SB<br><br>End Cap Bracket<br>EB | DC 24V<br>g |

- <sup>1</sup> Refer to **Cover Options** on **Options** pages      <sup>2</sup> Refer to **LED Grading Key** on **Specification sheet** page      <sup>3</sup> Refer to **Length Availability List** or enter total run length instead of length code  
<sup>4</sup> Refer to **Power Feed Options** on **Options** pages      <sup>5</sup> Max length available with Nano Louvre is 1020mm  
<sup>6</sup> Nano Louvre suitable for IP44 variant ONLY. Prolonged exposure to water droplets on cover surface may result in superficial peeling of Nano louvre film without affecting integrity of housing ingress  
<sup>7</sup> Due to the clear, flush potted polyurethane top layer on IP67 MIMI Glow a colour shift of +/-20K should be expected

## Code Example:

|           |   |                 |   |                        |   |    |   |      |   |       |   |       |   |      |   |              |   |                           |   |                 |   |        |   |   |
|-----------|---|-----------------|---|------------------------|---|----|---|------|---|-------|---|-------|---|------|---|--------------|---|---------------------------|---|-----------------|---|--------|---|---|
| MG        | - | SA              | - | CN                     | - | A  | - | A020 | - | 30    | - | m     | - | 520  | - | 44           | - | 0300                      | - | S00A            | - | EB     | - | g |
| MIMI Glow |   | Silver Anodised |   | Diffused + Nano Louvre |   | A- |   | A020 |   | 3000K |   | 520mm |   | IP44 |   | 300mm/11.81" |   | Single ø4.3mm sheath tail |   | End Cap Bracket |   | DC 24V |   |   |

## ACCESSORIES

### Mounting Accessories

|         |                    |
|---------|--------------------|
| KKCP-14 | Lock Clip          |
| KKBK-24 | Adjustable bracket |

\* Refer to **Mounting accessories** on **Accessories** pages

### Connection Accessories

|              |  |
|--------------|--|
| CN67-2P-0300 | IP67 2 PIN male & female 300mm/11.81" pair   |
| CN67-2P-1000 | IP67 2 PIN male & female 1000mm/39.37" pair  |
| CN67-2P-3000 | IP67 2 PIN male & female 3000mm/118.11" pair |

\* Refer to **Power feed** on **Accessories** pages

### Exterior Junction Boxes

|          |                                   |
|----------|-----------------------------------|
| KKJB-07  | IP67 Slim J-Box                   |
| KKJB-07R | Potting Resin for IP67 Slim J-Box |

\* Refer to **Exterior Junction Boxes** on **Accessories** pages

### PSU/Driver

0-10V/1-10V/DALI/DMX

\* Refer to **Driver/PSU Options** page for details or provide requirement and KKDC to offer the suitable option

## LED ENGINE VARIANTS (LED STRIP TYPE)

| Colour     | LED  | Lumen/m | Lumen/ft | W/m | W/ft | Spec Doc       | Length                    | Increment       |
|------------|------|---------|----------|-----|------|----------------|---------------------------|-----------------|
| Single CCT | A010 | 420     | 128      | 10  | 3.05 | MIMI Glow A010 | 97-2020mm (3.82-79.53in)  | 38.46 (1.51in)  |
|            | R020 | 621     | 189      | 20  | 6.1  | MIMI Glow R020 | 103-2020mm (4.05-79.53in) | 41.7mm (1.64in) |
|            | A020 | 840     | 256      | 20  | 6.1  | MIMI Glow A020 | 97-2020mm (3.82-79.53in)  | 38.46 (1.51in)  |

\* Performance data: A/k-line, diffused cover, 3000K

Linear

# MIMI Glow A020 (20W) Length Availability List



| Length Code |              | Fixture Length <sup>1</sup> |              | LED Strip <sup>2</sup> |              | End Cap Dimension |              | Wattage (W) | Output (lm)          |
|-------------|--------------|-----------------------------|--------------|------------------------|--------------|-------------------|--------------|-------------|----------------------|
| Metric      | Imperial(US) | Metric                      | Imperial(US) | Metric                 | Imperial(US) | Metric            | Imperial(US) |             | 3000K<br>(Test Data) |
| m0097       | i0004        | 97mm                        | 3.82in       | 77mm                   | 3.03in       | 10mm              | 0.39in       | 1.54        | 65                   |
| m0135       | i0005        | 135mm                       | 5.33in       | 115mm                  | 4.54in       | 10mm              | 0.39in       | 2.31        | 97                   |
| m0174       | i0007        | 174mm                       | 6.84in       | 154mm                  | 6.06in       | 10mm              | 0.39in       | 3.08        | 129                  |
| m0212       | i0008        | 212mm                       | 8.36in       | 192mm                  | 7.57in       | 10mm              | 0.39in       | 3.85        | 162                  |
| m0251       | i0010        | 251mm                       | 9.87in       | 231mm                  | 9.09in       | 10mm              | 0.39in       | 4.62        | 194                  |
| m0289       | i0011        | 289mm                       | 11.39in      | 269mm                  | 10.60in      | 10mm              | 0.39in       | 5.38        | 226                  |
| m0328       | i0013        | 328mm                       | 12.90in      | 308mm                  | 12.11in      | 10mm              | 0.39in       | 6.15        | 258                  |
| m0366       | i0014        | 366mm                       | 14.42in      | 346mm                  | 13.63in      | 10mm              | 0.39in       | 6.92        | 291                  |
| m0405       | i0016        | 405mm                       | 15.93in      | 385mm                  | 15.14in      | 10mm              | 0.39in       | 7.69        | 323                  |
| m0443       | i0017        | 443mm                       | 17.44in      | 423mm                  | 16.66in      | 10mm              | 0.39in       | 8.46        | 355                  |
| m0482       | i0019        | 482mm                       | 18.96in      | 462mm                  | 18.17in      | 10mm              | 0.39in       | 9.23        | 388                  |
| m0520       | i0020        | 520mm                       | 20.47in      | 500mm                  | 19.69in      | 10mm              | 0.39in       | 10.00       | 420                  |
| m0558       | i0022        | 558mm                       | 21.99in      | 538mm                  | 21.20in      | 10mm              | 0.39in       | 10.77       | 452                  |
| m0597       | i0024        | 597mm                       | 23.50in      | 577mm                  | 22.71in      | 10mm              | 0.39in       | 11.54       | 485                  |
| m0635       | i0025        | 635mm                       | 25.02in      | 615mm                  | 24.23in      | 10mm              | 0.39in       | 12.31       | 517                  |
| m0674       | i0027        | 674mm                       | 26.53in      | 654mm                  | 25.74in      | 10mm              | 0.39in       | 13.08       | 549                  |
| m0712       | i0028        | 712mm                       | 28.04in      | 692mm                  | 27.26in      | 10mm              | 0.39in       | 13.85       | 582                  |
| m0751       | i0030        | 751mm                       | 29.56in      | 731mm                  | 28.77in      | 10mm              | 0.39in       | 14.62       | 614                  |
| m0789       | i0031        | 789mm                       | 31.07in      | 769mm                  | 30.28in      | 10mm              | 0.39in       | 15.38       | 646                  |
| m0828       | i0033        | 828mm                       | 32.59in      | 808mm                  | 31.80in      | 10mm              | 0.39in       | 16.15       | 678                  |
| m0866       | i0034        | 866mm                       | 34.10in      | 846mm                  | 33.31in      | 10mm              | 0.39in       | 16.92       | 711                  |
| m0905       | i0036        | 905mm                       | 35.61in      | 885mm                  | 34.83in      | 10mm              | 0.39in       | 17.69       | 743                  |
| m0943       | i0037        | 943mm                       | 37.13in      | 923mm                  | 36.34in      | 10mm              | 0.39in       | 18.46       | 775                  |
| m0982       | i0039        | 982mm                       | 38.64in      | 962mm                  | 37.86in      | 10mm              | 0.39in       | 19.23       | 808                  |
| m1020       | i0040        | 1020mm                      | 40.16in      | 1000mm                 | 39.37in      | 10mm              | 0.39in       | 20.00       | 840                  |
| m1058       | i0042        | 1058mm                      | 41.67in      | 1038mm                 | 40.88in      | 10mm              | 0.39in       | 20.77       | 872                  |
| m1097       | i0043        | 1097mm                      | 43.19in      | 1077mm                 | 42.40in      | 10mm              | 0.39in       | 21.54       | 905                  |
| m1135       | i0045        | 1135mm                      | 44.70in      | 1115mm                 | 43.91in      | 10mm              | 0.39in       | 22.31       | 937                  |
| m1174       | i0046        | 1174mm                      | 46.21in      | 1154mm                 | 45.43in      | 10mm              | 0.39in       | 23.08       | 969                  |
| m1212       | i0048        | 1212mm                      | 47.73in      | 1192mm                 | 46.94in      | 10mm              | 0.39in       | 23.85       | 1002                 |
| m1251       | i0049        | 1251mm                      | 49.24in      | 1231mm                 | 48.46in      | 10mm              | 0.39in       | 24.62       | 1034                 |
| m1289       | i0051        | 1289mm                      | 50.76in      | 1269mm                 | 49.97in      | 10mm              | 0.39in       | 25.38       | 1066                 |
| m1328       | i0052        | 1328mm                      | 52.27in      | 1308mm                 | 51.48in      | 10mm              | 0.39in       | 26.15       | 1098                 |
| m1366       | i0054        | 1366mm                      | 53.79in      | 1346mm                 | 53.00in      | 10mm              | 0.39in       | 26.92       | 1131                 |
| m1405       | i0055        | 1405mm                      | 55.30in      | 1385mm                 | 54.51in      | 10mm              | 0.39in       | 27.69       | 1163                 |
| m1443       | i0057        | 1443mm                      | 56.81in      | 1423mm                 | 56.03in      | 10mm              | 0.39in       | 28.46       | 1195                 |
| m1482       | i0058        | 1482mm                      | 58.33in      | 1462mm                 | 57.54in      | 10mm              | 0.39in       | 29.23       | 1228                 |
| m1520       | i0060        | 1520mm                      | 59.84in      | 1500mm                 | 59.06in      | 10mm              | 0.39in       | 30.00       | 1260                 |
| m1558       | i0061        | 1558mm                      | 61.36in      | 1538mm                 | 60.57in      | 10mm              | 0.39in       | 30.77       | 1292                 |
| m1597       | i0063        | 1597mm                      | 62.87in      | 1577mm                 | 62.08in      | 10mm              | 0.39in       | 31.54       | 1325                 |
| m1635       | i0064        | 1635mm                      | 64.39in      | 1615mm                 | 63.60in      | 10mm              | 0.39in       | 32.31       | 1357                 |
| m1674       | i0066        | 1674mm                      | 65.90in      | 1654mm                 | 65.11in      | 10mm              | 0.39in       | 33.08       | 1389                 |
| m1712       | i0067        | 1712mm                      | 67.41in      | 1692mm                 | 66.63in      | 10mm              | 0.39in       | 33.85       | 1422                 |

# MIMI Glow A020 (20W)

## Length Availability List



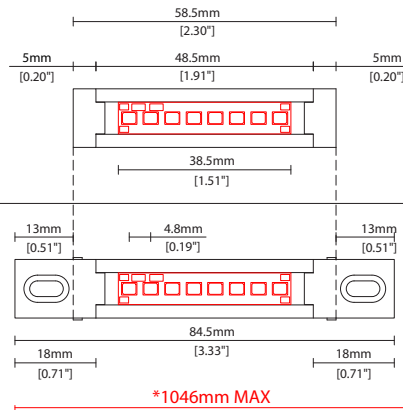
| Length Code |              | Fixture Length <sup>1</sup> |              | LED Strip <sup>2</sup> |              | End Cap Dimension |              | Wattage (W) | Output (lm)<br>3000K<br>(Test Data) |
|-------------|--------------|-----------------------------|--------------|------------------------|--------------|-------------------|--------------|-------------|-------------------------------------|
| Metric      | Imperial(US) | Metric                      | Imperial(US) | Metric                 | Imperial(US) | Metric            | Imperial(US) |             |                                     |
| m1751       | i0069        | 1751mm                      | 68.93in      | 1731mm                 | 68.14in      | 10mm              | 0.39in       | 34.62       | 1454                                |
| m1789       | i0070        | 1789mm                      | 70.44in      | 1769mm                 | 69.65in      | 10mm              | 0.39in       | 35.38       | 1486                                |
| m1828       | i0072        | 1828mm                      | 71.96in      | 1808mm                 | 71.17in      | 10mm              | 0.39in       | 36.15       | 1518                                |
| m1866       | i0073        | 1866mm                      | 73.47in      | 1846mm                 | 72.68in      | 10mm              | 0.39in       | 36.92       | 1551                                |
| m1905       | i0075        | 1905mm                      | 74.98in      | 1885mm                 | 74.20in      | 10mm              | 0.39in       | 37.69       | 1583                                |
| m1943       | i0076        | 1943mm                      | 76.50in      | 1923mm                 | 75.71in      | 10mm              | 0.39in       | 38.46       | 1615                                |
| m1982       | i0078        | 1982mm                      | 78.01in      | 1962mm                 | 77.23in      | 10mm              | 0.39in       | 39.23       | 1648                                |
| m2020       | i0080        | 2020mm                      | 79.53in      | 2000mm                 | 78.74in      | 10mm              | 0.39in       | 40.00       | 1680                                |

<sup>1</sup> Actual total overall length of light fixture (LED strip + end caps + void/wire hole)

<sup>2</sup> Actual length of PCB strip

<sup>3</sup> Actual length of 2x end caps

### Standard End Caps (SB)



\*End Cap Brackets (EB)  
Increases overall standard  
length by 26mm (2x13mm)

**\*IMPORTANT NOTE:**  
DUE TO POTENTIAL PROFILE 'SAGGING' THE MAX  
LENGTH AVAILABLE WITH END CAP BRACKETS IS 1046mm.

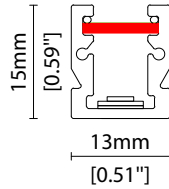
Linear

# MIMI Glow A020 (20W) Options

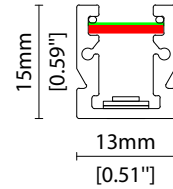
# KKDC

## COVER/LENS OPTIONS

\* Options are an integral part of the fixture ordering codes. Please refer to **Code Table** pages.

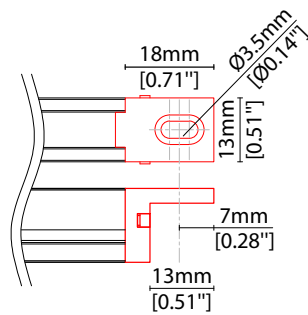


**C** Diffused Cover  
Polycarbonate finish  
W13/H15mm (W0.51\"/>



**CN** Diffused Cover + Nano Louvre  
Polycarbonate cover with anti-glare, 30° cut-off view angle  
W13/H15mm (W0.51\"/>

## END CAP OPTION



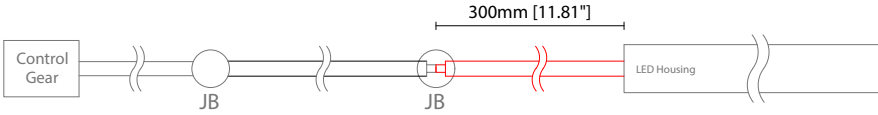
**EB** End Cap Bracket (Pair)  
Handrail installation  
Compatible up to 1m/40\"/>  
L18/W13/H15mm  
(L0.7/W0.51/H0.59\"/>

### Key

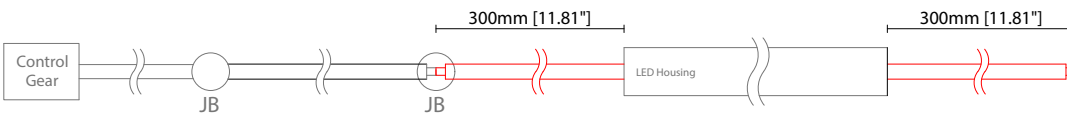
Control Gear Power supply, sub-controllers & control systems  
JB Junction box / cable connection

### POWER FEED OPTIONS

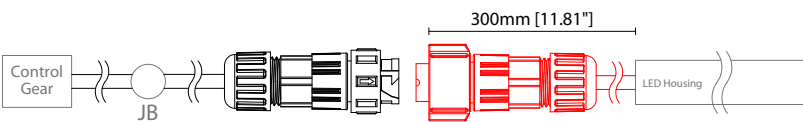
0300 S00A 300mm (11.81") Single  $\varnothing$ 4.3mm sheath tail



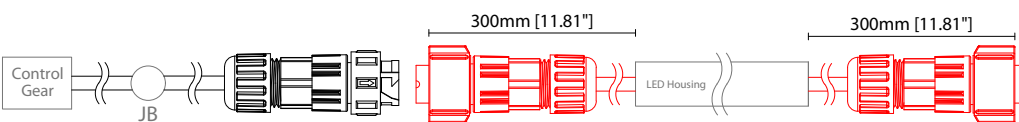
0300 D00A 300mm (11.81") Double  $\varnothing$ 4.3mm sheath tail



0300 S67A 300mm (11.81") Single  $\varnothing$ 4.3mm sheath IP67 connector

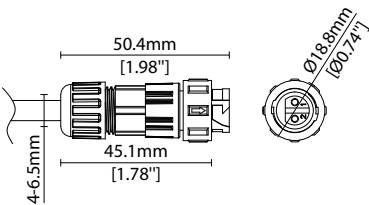


0300 D67A 300mm (11.81") Double  $\varnothing$ 4.3mm sheath IP67 connector

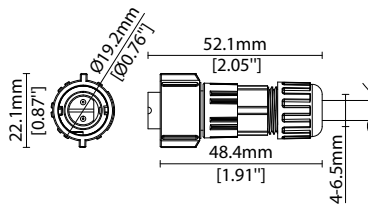


### IP67 2 Pin Connector

Female connector  
2 PIN (IP67)



Male connector  
2 PIN (IP67)



Linear

# MIMI Glow A020 (20W) Accessories

# KKDÖ

## MOUNTING ACCESSORIES

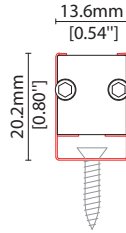
Note: Accessories are to be ordered separately with corresponding code shown below.



KKCP-14

Lock clip (allow 2 per metre/40in)  
S/Steel finish

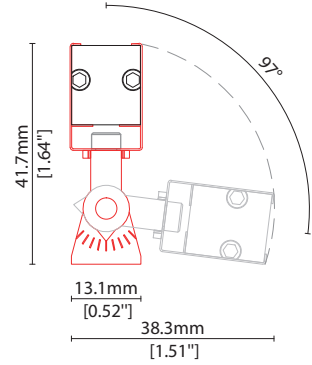
L25/W13.6/H20.2mm  
(L0.98/W0.54/H0.80")



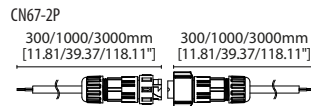
KKBK-24

Adjustable bracket  
(allow 2 per metre/40in)  
S/Steel finish

L36.5/W13/H41.7mm  
(L1.44/W0.51/H1.64")



## POWER FEED



CN67-2P-0300 300mm (11.81in) pair  
CN67-2P-1000 1000mm (39.37in) pair  
CN67-2P-3000 3000mm (118.11in) pair

IP67

2 PIN male + female connector set

## EXTERIOR JUNCTION BOXES



KKJB-07

IP67 Slim J-Box  
(including type A,B,C, D bushings)



KKJB-07R

Potting resin for IP67 Slim J-Box



Linear

# MIMI Glow A020 (20W) Accessories

# KKDC

## KKDC CONTROL



IP20  
Plastic housing  
L170/W59/H29mm  
(L6.69/W2.32/H1.14in)

### KKDM-06 1-10V

visDIM dimmable sub-controller  
(4 x 8A max @ 12-36V)



IP20  
Plastic housing  
L170/W53.4/H28mm  
(L6.69/W2.10/H1.10in)

### KKSC-05 DMX

visDIM dimmable sub-controller  
(4 x 5A max @ 12-36V)



IP20  
Plastic housing  
L170/W59/H29mm  
(L6.69/W2.32/H1.14in)

### KKDL-02 DALI

visDIM dimmable sub-controller  
(4 x 8A max @ 12-36V)



IP20  
Plastic housing  
L166/W53.4/H23mm  
(L6.54/W2.10/H0.91in)

### KKDL-03 DALI

visDIM dimmable sub-controller  
(4 x 5A max @ 12-36V)

### AVAILABLE PSU OPTIONS

| Control Mode  | PSU (Order Code) | Input Voltage AC | Output Voltage DC | Rated Output Current | Rated Power | Dim %             | IP Rating |
|---------------|------------------|------------------|-------------------|----------------------|-------------|-------------------|-----------|
| Switched      | CEN-60-24        | 90-295V          | 24V               | 2.5A                 | 60W         | -                 | IP67      |
|               | HLG-60H-24       | 90-305V          | 24V               | 2.5A                 | 60W         | -                 | IP67      |
|               | HLG-100H-24      | 90-305V          | 24V               | 4.0A                 | 100W        | -                 | IP67      |
|               | HLG-150H-24      | 90-305V          | 24V               | 6.3A                 | 150W        | -                 | IP67      |
|               | HLG-240H-24      | 90-305V          | 24V               | 10A                  | 240W        | -                 | IP67      |
| 0-10V (1-10V) | PWM-40-24        | 90-305V          | 24V               | 1.67A                | 40W         | 100-0.15 (100-10) | IP67      |
|               | PWM-60-24        | 90-305V          | 24V               | 2.5A                 | 60W         | 100-0.15 (100-10) | IP67      |
|               | PWM-90-24        | 90-305V          | 24V               | 3.67A                | 90W         | 100-0.15 (100-10) | IP67      |
|               | PWM-120-24       | 90-305V          | 24V               | 5.0A                 | 120W        | 100-0.15 (100-10) | IP67      |
| DALI          | LIN100A1         | 120-277V         | 24V               | 1A per channel       | 100W        | 100-0.1           | IP66/IP40 |
| DMX RGB       | LIN100A1         | 120-277V         | 24V               | 1.33A per channel    | 100W        | 100-0.1           | IP66/IP40 |
| DMX RGBW      | LIN100A1         | 120-277A         | 24V               | 1A per channel       | 100W        | 100-0.1           | IP66/IP40 |

### Flicker Free Options - Combination of PSU+ sub-controller

| Control Mode   | PSU (Order Code) | Sub-controller (Order Code) | Input Voltage AC | Output Voltage DC | Rated Output Current | Rated Power | Dim %   | IP Rating PSU/ Sub-controller |
|----------------|------------------|-----------------------------|------------------|-------------------|----------------------|-------------|---------|-------------------------------|
| 0-10V or 1-10V | CEN-60-24        | KKDM-06                     | 90-295V          | 24V               | 2.5A                 | 60W         | 100-0.9 | IP67/IP20                     |
|                | HLG-60H-24       | KKDM-06                     | 90-295V          | 24V               | 2.5A                 | 60W         | 100-0.9 | IP67/IP20                     |
|                | HLG-100H-24      | KKDM-06                     | 90-295V          | 24V               | 4.0A                 | 100W        | 100-0.9 | IP67/IP20                     |
|                | HLG-150H-24      | KKDM-06                     | 90-295V          | 24V               | 6.3A                 | 150W        | 100-0.9 | IP67/IP20                     |
|                | HLG-240H-24      | KKDM-06                     | 90-295V          | 24V               | 10.0A                | 240W        | 100-0.9 | IP67/IP20                     |
| DALI           | CEN-60-24        | KKDL-02/03                  | 90-295V          | 24V               | 2.5A                 | 60W         | 100-0.1 | IP67/IP20                     |
|                | HLG-60H-24       | KKDL-02/03                  | 90-305V          | 24V               | 2.5A                 | 60W         | 100-0.1 | IP67/IP20                     |
|                | HLG-100H-24      | KKDL-02/03                  | 90-305V          | 24V               | 4.0A                 | 100W        | 100-0.1 | IP67/IP20                     |
|                | HLG-150H-24      | KKDL-02/03                  | 90-305V          | 24V               | 6.3A                 | 150W        | 100-0.1 | IP67/IP20                     |
|                | HLG-240H-24      | KKDL-02/03                  | 90-305V          | 24V               | 10.0A                | 240W        | 100-0.1 | IP67/IP20                     |
| DMX RGB        | CEN-60-24        | KKSC-05                     | 90-295V          | 24V               | 2.5A                 | 60W         | 100-0.9 | IP67/IP20                     |
|                | HLG-60H-24       | KKSC-05                     | 90-305V          | 24V               | 2.5A                 | 60W         | 100-0.9 | IP67/IP20                     |
|                | HLG-100H-24      | KKSC-05                     | 90-305V          | 24V               | 4A                   | 100W        | 100-0.9 | IP67/IP20                     |
|                | HLG-150H-24      | KKSC-05                     | 90-305V          | 24V               | 6.3A                 | 150W        | 100-0.9 | IP67/IP20                     |
|                | HLG-240H-24      | KKSC-05                     | 90-305V          | 24V               | 10.0A                | 240W        | 100-0.9 | IP67/IP20                     |

<sup>1</sup> The items shown above cover the most frequently used specification but does not exhaust the possible options

<sup>2</sup> PSU and/or driver can be chosen from the table, or KKDC may recommend the best option upon receipt of the controls requirement and installation environment

<sup>3</sup> Electrical shop drawing will include detailed information of PSU and relevant control drivers

<sup>4</sup> Cut sheets are available on the controls section of [www.kkdc.lighting](http://www.kkdc.lighting) or upon request